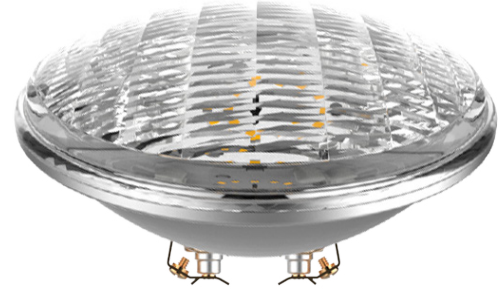


LED Specialty PAR56 Swimming Pool Lamp

16W replacement for 300W halogen



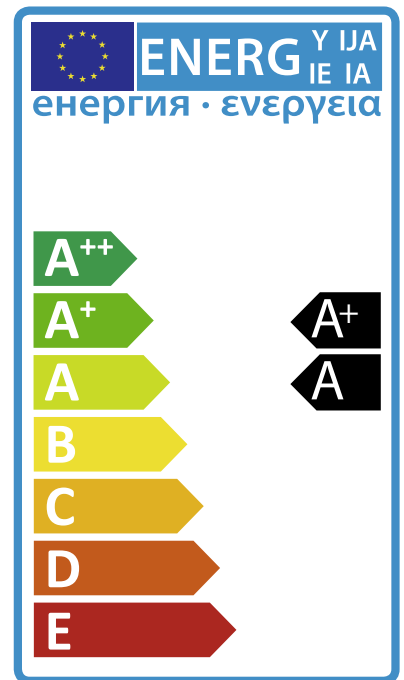
DATA SHEET

Product information

The upgraded design of this glass housing PAR56 range brings a perfect replacement for the 300W halogen PAR56 solution. With high lumen (up to 1500lm), wide beam angle (90°) and a long life time (25000 hrs), this solution effectively replaces the halogen PAR56 and provides significant (approx 95%) energy savings.

Features & Benefits

- "A" and "A+" Energy Class
- Up to 1500 total lumens
- 25,000 Life hours at L70
- Available in 3000K and 6500K
- Beam Angle - 90°
- Suitable for wet location (IP68) excluding terminals into the brackets
- Retrofit 12V Screw type terminal
- Glass housing
- Warranty: 2 years with maximum 8000 burning hours according to Tungsramp Standard Warranty conditions



Compliance

EN 55015:2013+A1:2015 Limits and methods of measurement of radio disturbance characteristics of electrical lighting and similar equipment

EN 61547:2009 Equipment for general lighting purposes – EMC immunity requirements

The LED PAR56 Pool Lamp is suitable for installation in Swimming pools. It is not suitable for indoor/household illumination purposes.

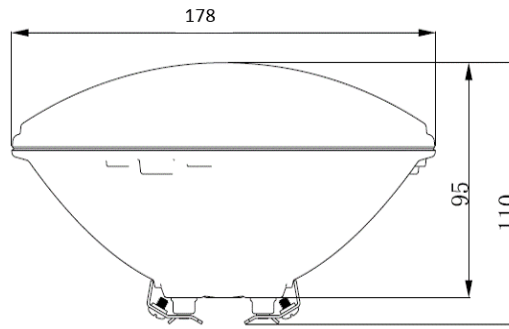
Specification summary

Product code	Product code (Direct Shipment)	Product Description	Nominal/ Rated Power (W)	Cap/ Base	Nominal/ Rated Beam Angle (°)	Nominal/ Rated Lumens (lm)	Rated Peak Intensity (cd)	Nominal/ Rated Life (L70/B50 hours)	CCT (K)	EEC
93104930	93104941	LED Specialty PAR56 16W(300) 730 90° TU	16.0	Screw Terminal	90	1150	610	25 000	3000	A
93077313	93103574	LED Specialty PAR56 16W(300) 765 90° TU	16.0	Screw Terminal	90	1500	700	25 000	6500	A+

Common attributes

- Colour Rendering Index 70
- Input Voltage: 12V
- Warm up time: Instant on
- Power factor: 0.9

Dimensions (mm)



Recommended operation temperature

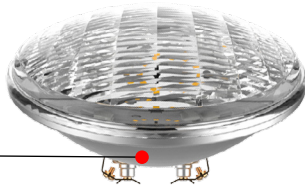
Ambient temperature range -20°C to 40°C.

PAR56 Desired outputs

Ths Max for L70 60°C

Ths Max for B50 60°C

Thermal test point



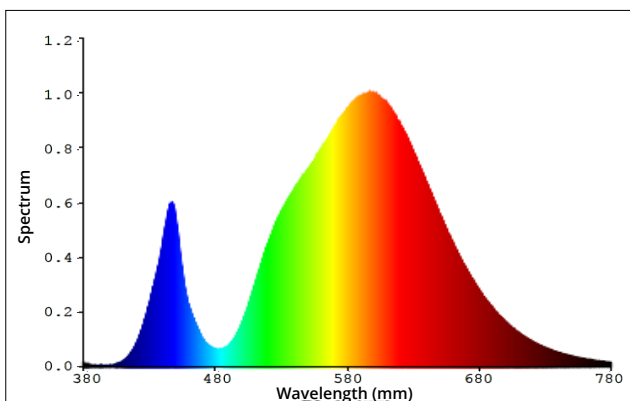
Packaging image



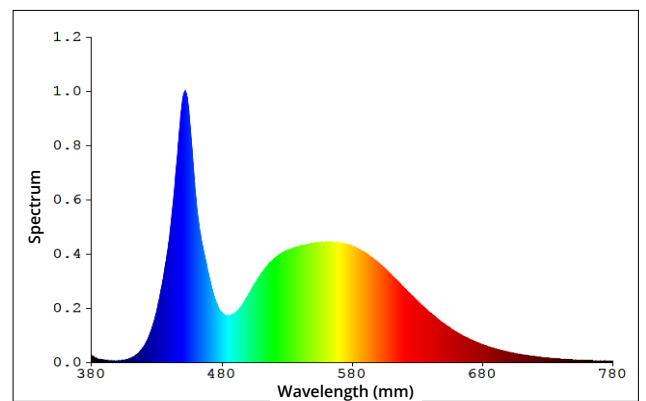
Operation and maintenance

- Store and use the lamps the same way as traditional halogen or incandescent lamps.
- Lamp and lamp holder should be kept free from contamination.
- Do not use if the bulb is broken.
- Ensure lamp is cool before removing.
- This LED PAR56 replacement is a non-dimmable lamp
- Not for accent lighting
- Lamp to be used into a luminaire.

Spectral distributions



3000K



6500K

All values 180-400nm are 0